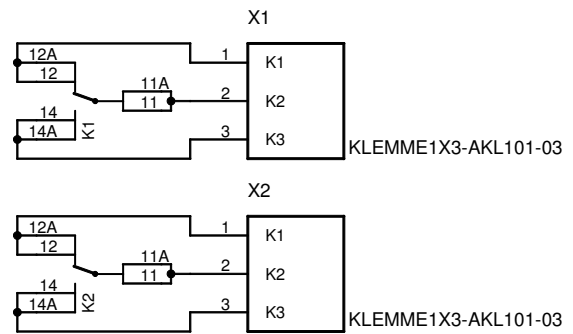


KLEMMIE1 X2-AKL059-02

Digital-Spannung (Rail)



PIC Relaisdecoder (2fach)	
(c) www.digital-bahn.de - Sven Brandt	
TITLE: reldec	
Document Number:	REV: 1.01
Date: 07.10.2003 17:16:48	Sheet: 1/1