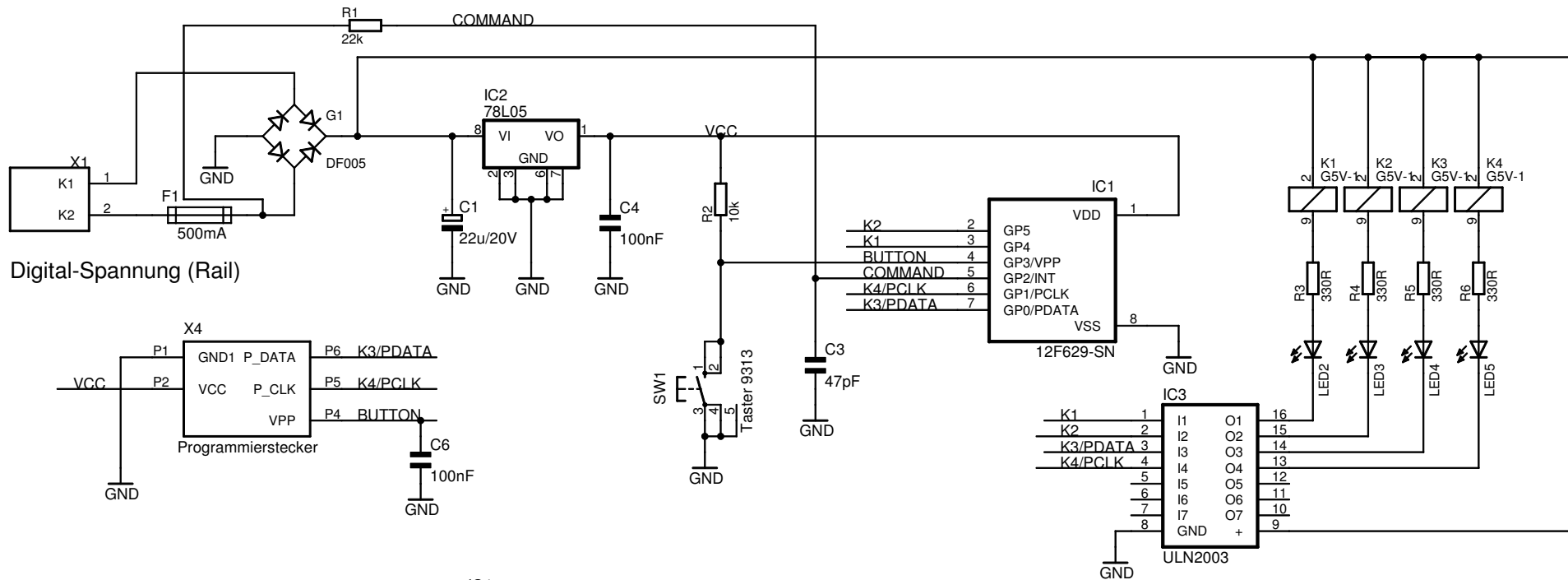
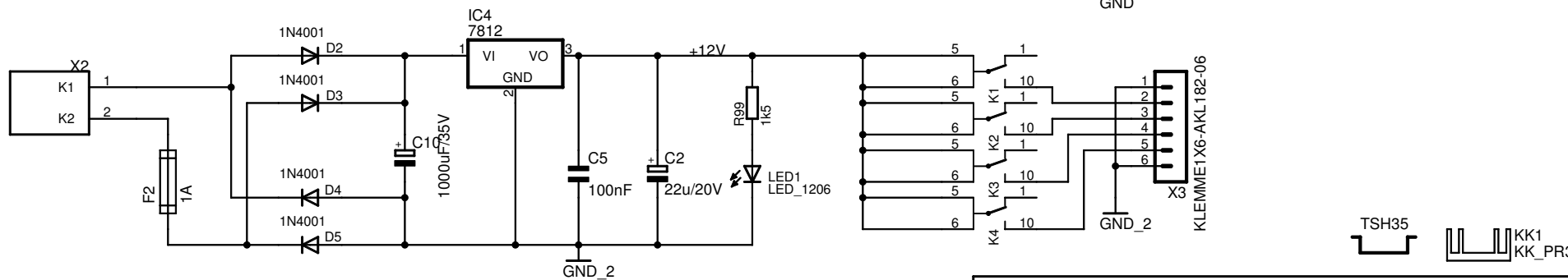


KLEMME1X2-AKL182-02

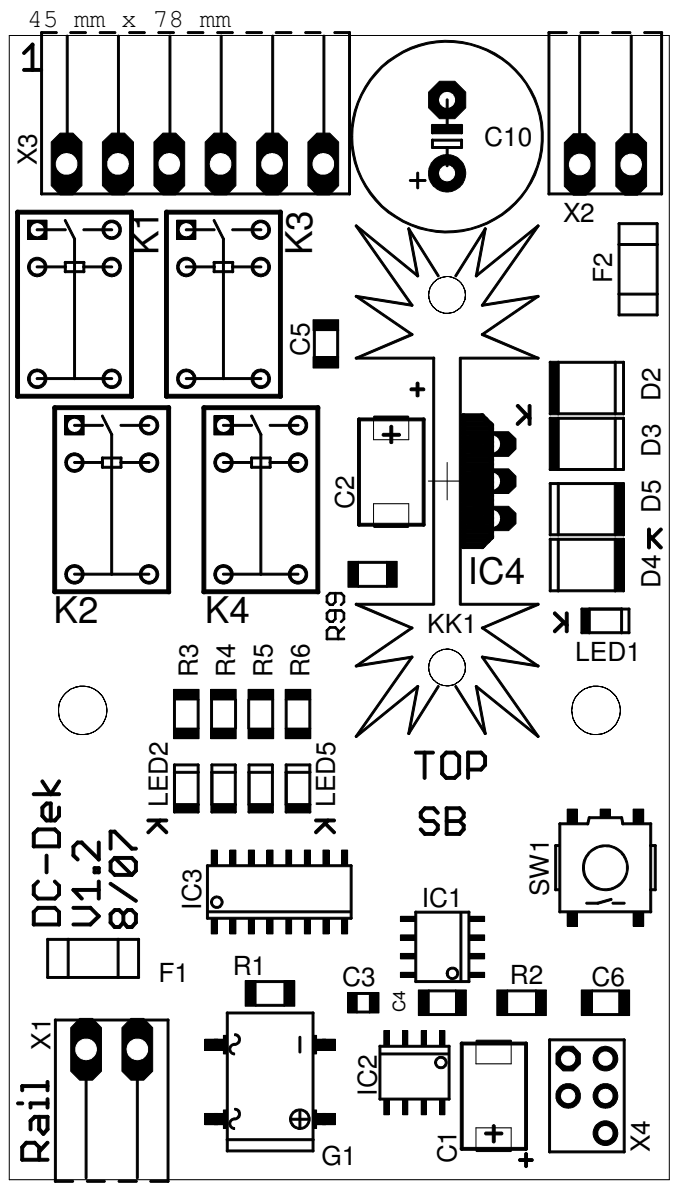
### Digital-Spannung (Rail)



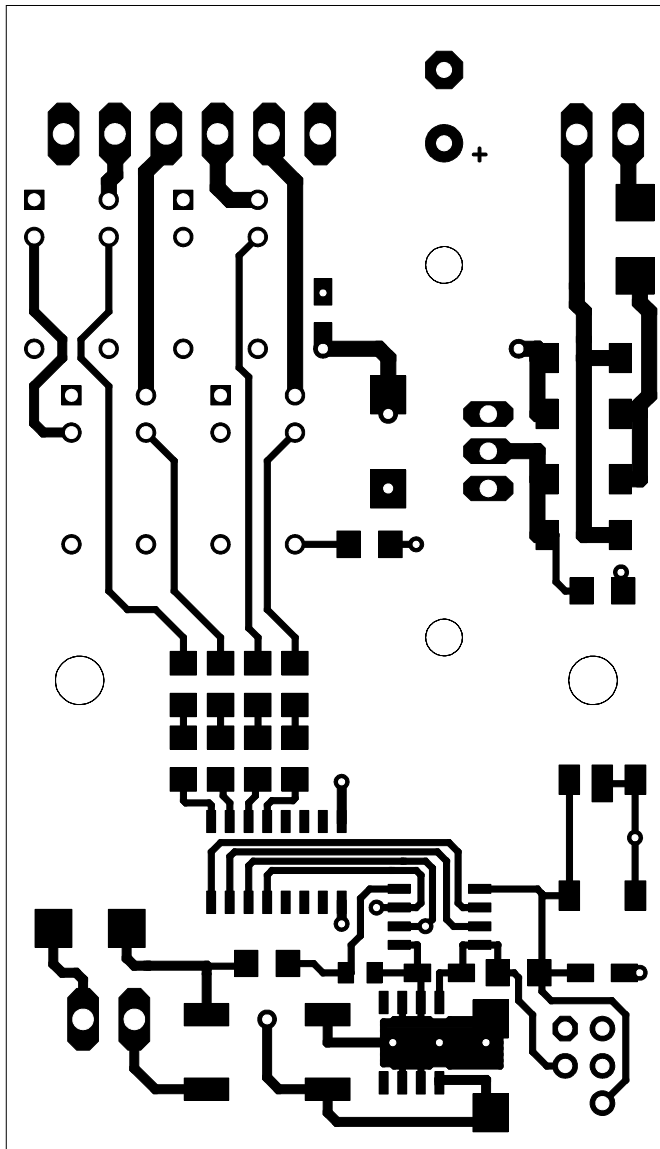
KLEMME1X2-AKL182-02



DC-Dekoder	
(c) www.digital-bahn.de - Sven Brandt	
TITLE: DC_DEC	
Document Number:	REV: 1.20
Date: 14.12.2007 13:02:54	Sheet: 1/1

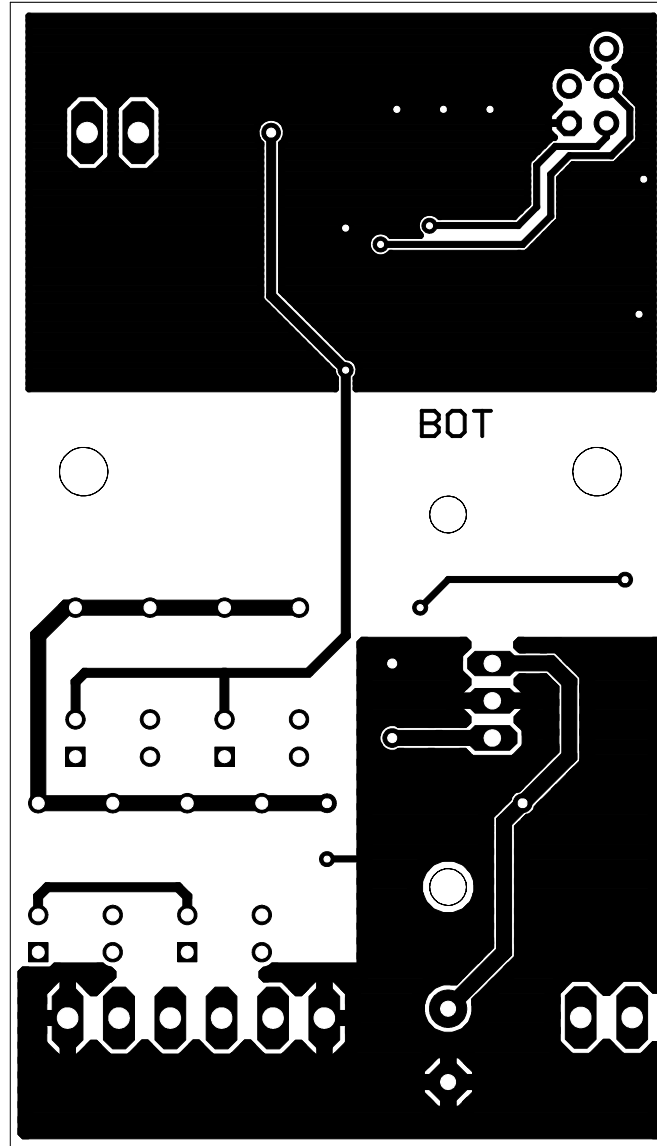


45 mm x 78 mm



(c) [www.digital-bahn.de](http://www.digital-bahn.de) - Sven Brandt

(c) မာမာ့ဂျီဒီအီး-ပာမာ့ဂေ - ဂလေ့ ဝါးဂေ



၁၂ မာမာ့ဂျီဒီအီး-ပာမာ့ဂေ