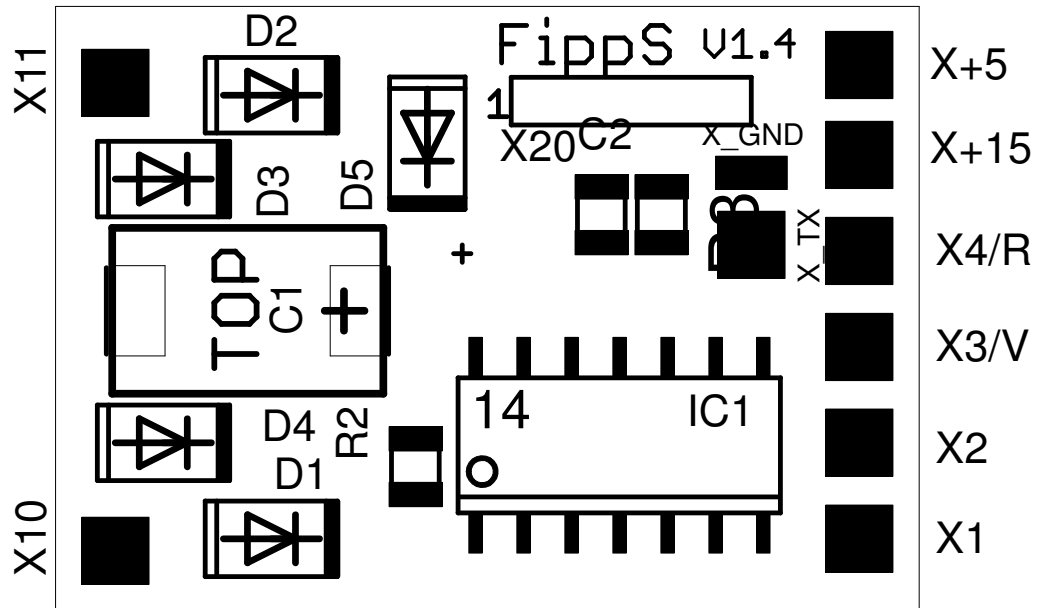


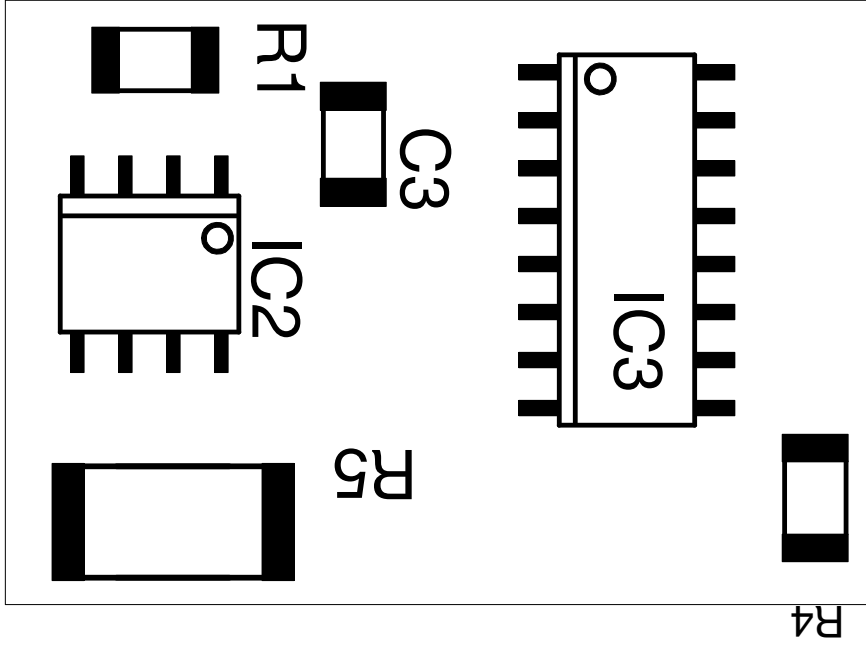
Funktions-Dekoder programmierbar per Schiene (c) www.digital-bahn.de - Sven Brandt	
TITLE: fipps	
Document Number:	REU: v1.4
Date: 17.11.2010 16:21:29	Sheet: 1/1

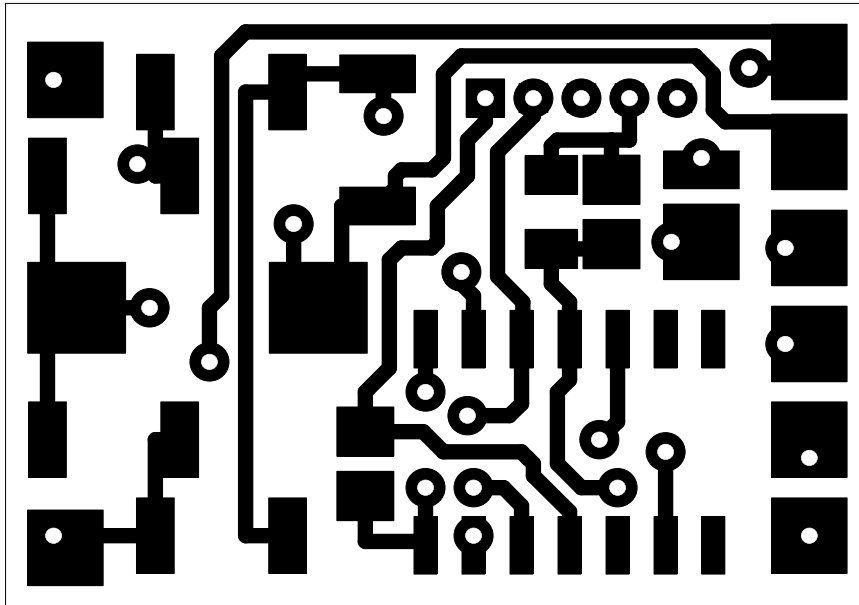


(c) [www.digital-bahn.de](http://www.digital-bahn.de) – Sven Brandt  
23 mm x 16 mm

53 mm x 1e mm

(c) mm·qititaj-papn·de - 2ven Brandt

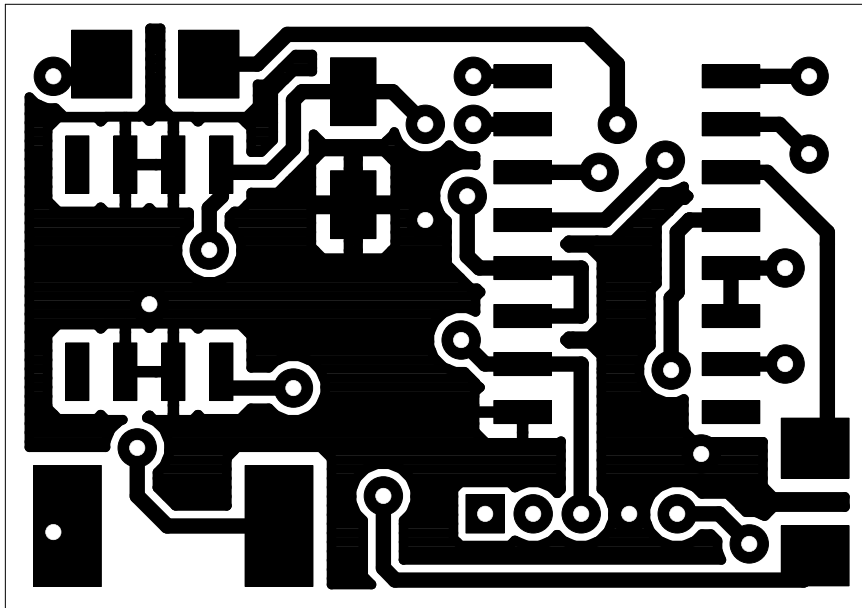




(c) [www.digital-bahn.de](http://www.digital-bahn.de) - Sven Brandt  
23 mm x 16 mm

Σ3 mm x 1e mm

(c) ΜΜ·qτqτfαJ-ραρρ·qε - 2ΛΘN Bταηqf



BOT