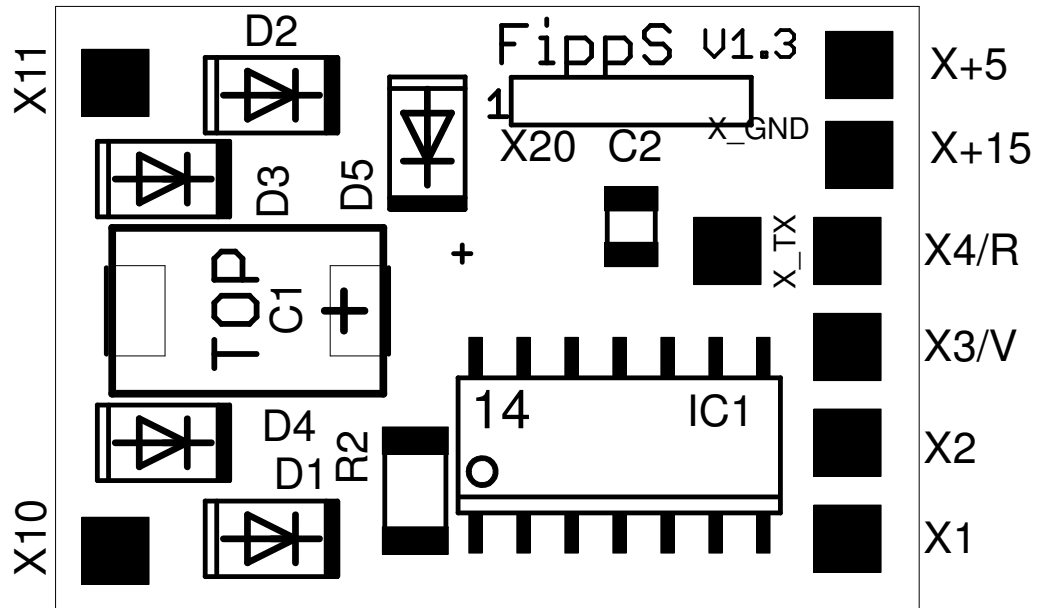


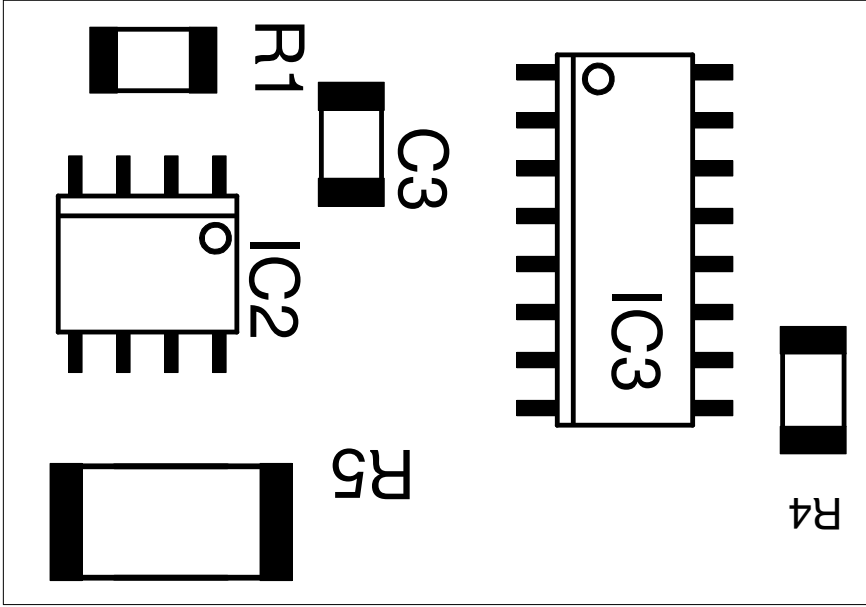
Funktions-Dekoder programmierbar per Schiene (c) www.digital-bahn.de - Sven Brandt	
TITLE: fipps	
Document Number:	REU: 1.30
Date: 19.10.2010 10:34:22	Sheet: 1/1

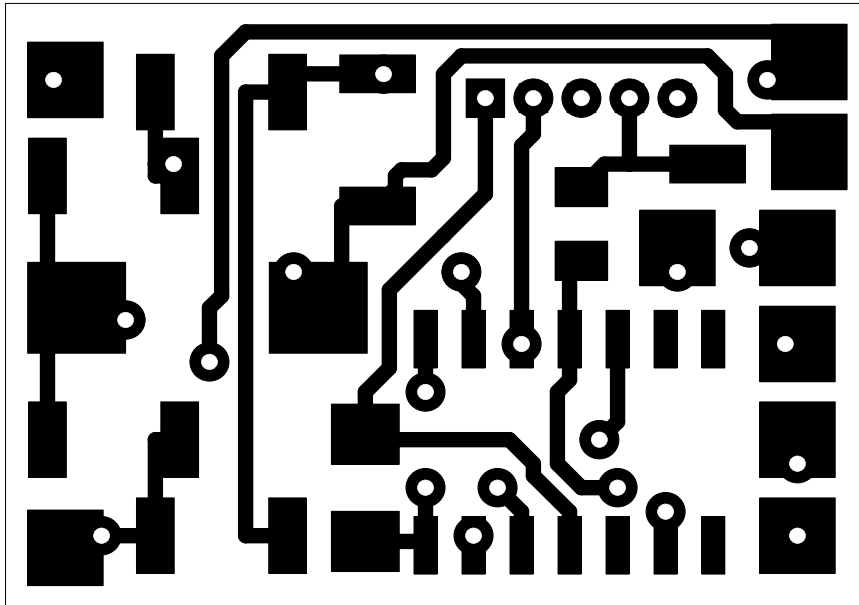


(c) [www.digital-bahn.de](http://www.digital-bahn.de) - Sven Brandt  
 23 mm x 16 mm

53 mm x 1e mm

(c) [www.gutenberg.org](http://www.gutenberg.org) - ZVEN BRAND

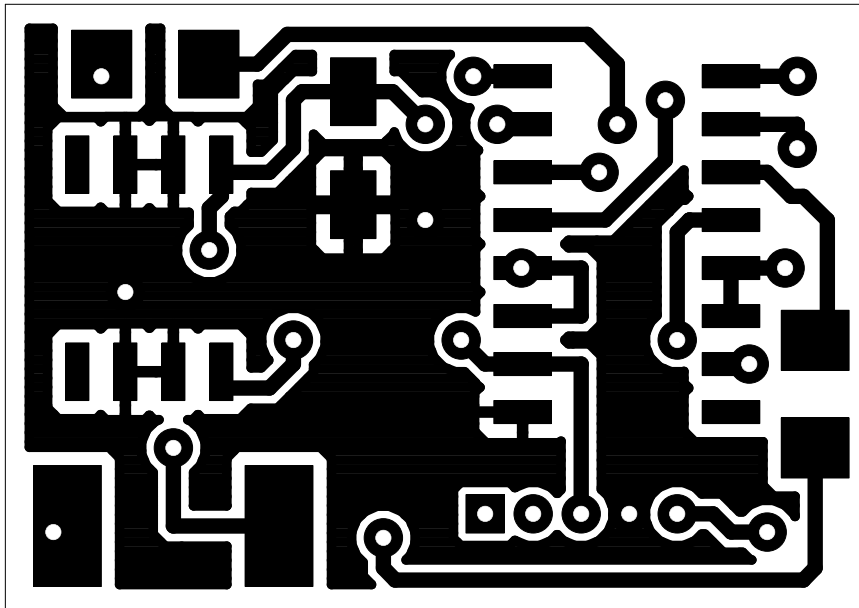




(c) [www.digital-bahn.de](http://www.digital-bahn.de) - Sven Brandt  
23 mm x 16 mm

Σ3 mm x 1e mm

(c) ΜΜ·qτqτfαJ-ραρπ·qε - 2vεn Brαnqf



BOT